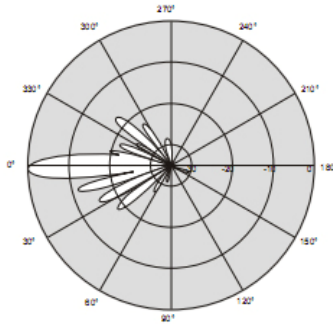
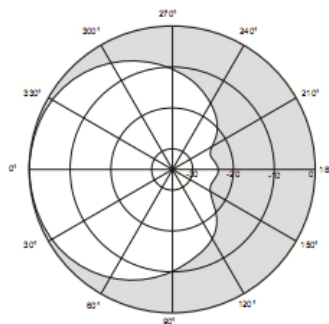


## BAP Panel Antenna Series-Vertical Pol.

**Vertical Pattern (880MHz)**

**Horizontal Pattern (880MHz)**


Electrical Parameters	BAP890-90-16D	
Frequency range	806~ 960MHz	
Gain	806MHz	15.3dBi
	880MHz	15.5dBi
	960MHz	16.2dBi
Polarization	Vertical	
Vertical plane -3dB beamwidth	8.2°	
Horizontal plane -3dB beamwidth	86°	
First upper sidelobe suppression	≥17dB	
Return loss	≥16dB	
Front to back ratio	≥23dB	
Max CW power per port	500W	
Impedance	50Ω	
IMD performance	≤-150dBc	
Fixed electrical downtilt	2°	
Lighting protection	DC ground	
Connector type	DIN 7/16F	
Mechanical Parameters	Specification	
Rated wind speed	200km/hr	
Dimensions H x W x D	2158×256×137mm	
Packed size H x W x D	2255×400×300 mm	
Net weight (with mounting hardware)	7.5kg	
Operating temperature	Min -40°C Max +60 °C	
Radome material	FRP or UV Stable PVC	
Mechanical downtilt max. (with adjustable brackets)	10°	
Mounting pole (min/max diameter)	50~100mm	
Performance	Specification	
Materials:	All internal parts corrosion resistant.	
	All antenna fasteners stainless steel.	
	Bracket assemblies fully galvanized.	
Mounting:	Radome surface treated for maximum UV protection.	
	Available with either fixed brackets (non-adjustable) or mechanically adjustable bracket assemblies. Please specify when ordering.	
Grounding:	Lower bracket assembly DC ground.	

Eyecom company policy is one of continuing improvement, therefore we reserve the right to change this specification without notice.